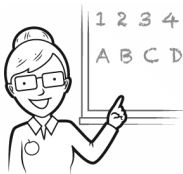


Teacher Spelling

Week of _____



My Name: _____

Your Words

Pick 1 to do:

- page 1
- pages 2-3

Spelling Break

Pick 1 to do:

- page 11
- page 12

Spelling Workout

Pick 6 to do:

- page 4
- page 5
- page 6
- page 7
- page 8
- page 9
- page 10



Name: _____

Picture Dictionary

Draw a picture of 11 of your words. Write the word.



EXAMPLE. laughed

1. _____

2. _____

3. _____

4. _____

5. _____

Name: _____

edHelper

6. _____

7. _____

8. _____

9. _____

10. _____

11. _____

Name: _____

Teachers' Day Spelling
Third Grade

punctuality u p p u r p u u u p u n c t u a l i t y

topic t p t o p c t o p i c s c i o t w i x p

mistakes s t t s c m i s t a k e s t m s m s y t

whiteboard h e h b e b h q a t w h i t e b o a r d

science z s c u i n c e c e a s c i e n c e c i

conferences o c f g e s n c c o n f e r e n c e s c

board b a o r r d y b o a r d m w g b b a v n

language l n n g l a n g u a g e l u n g o a g e

conclusion n s o c o n c l u s i o n c i l n g c n

flexible x g f e l x i b l e o e f l e x i b l e

grateful s g r a t e f u l g g r e a t f u l r f

listening l g l i s t e n i n g l o s t a n i n g

multiplication v i x o m u l t i p l i c a t i o n s a

proactive t v c r r o p r o a c t i v e v a c t i

skills y s q s k i l s l i i l s k i l l s l s

history z m f r p h i s t o r y h i s t r o y u

respect w s r e s p e c t p s r i s p e c t e h

parents p a r a n t s p a r e n t s a r n e p s

ruler l l r u l e r d t u u r u t u l e r p h

planner l p l a n n e r v x g r a p a n u r p n

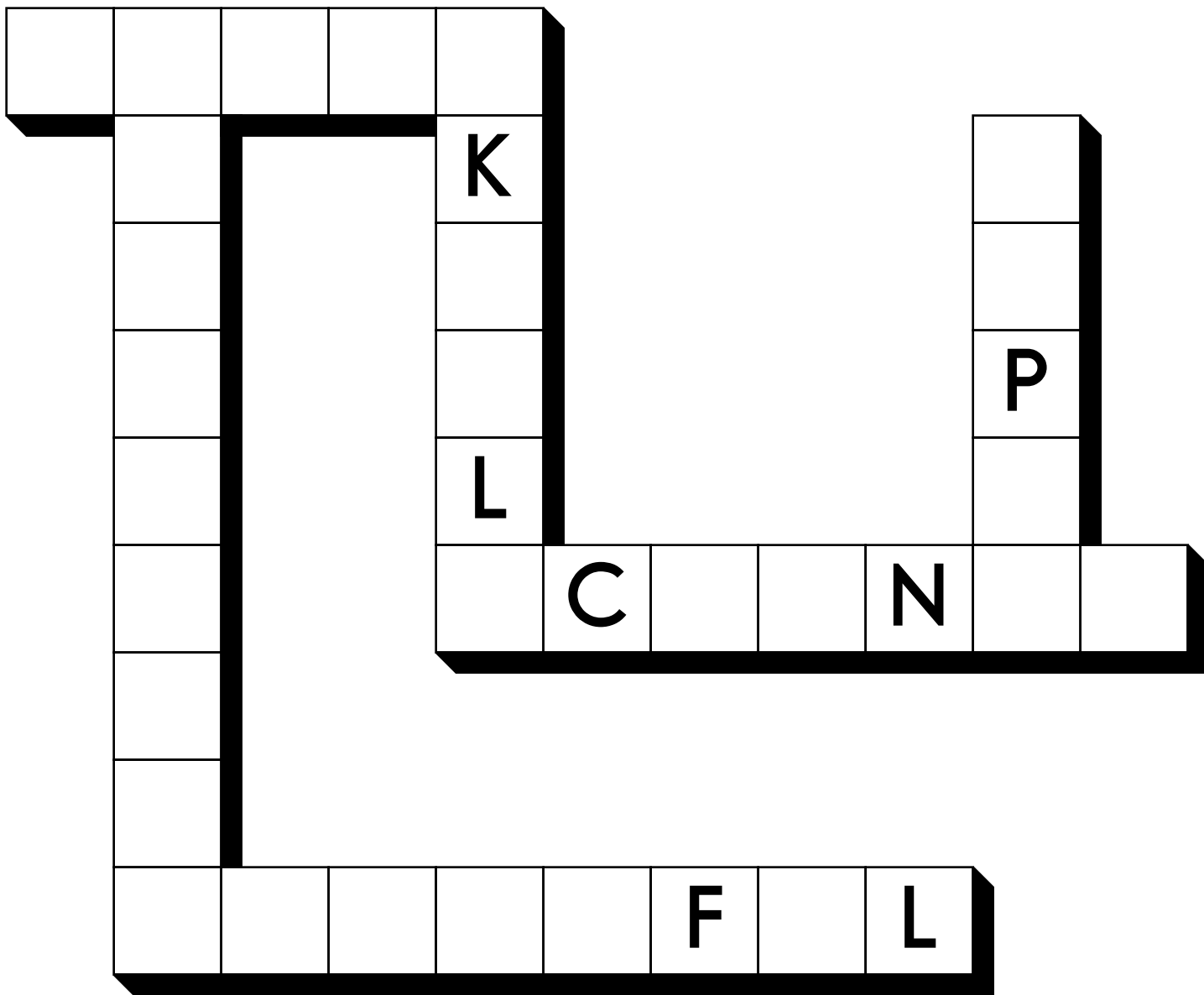
collaborate r n a w c o l l a b o r a t e r b o l v

prewriting i l r o w p r e w r i t i n g t x p e r

Name: _____

LISTENING • TOPIC • GRATEFUL • SKILLS • CLASS • SCIENCE

Write each word into the puzzle.



4	3
9	3
+ 5	+ 7

Can you think of a 5-letter word that has the vowel E in it?

54
- 42

56
- 18

84
+ 14

Name: _____

Circle words to the RIGHT or DOWN. Every letter is used exactly ONCE.

O U R B O A R D G T L A N G U A G E
 G E M P H P H R O L I S T E N I N G
 U S E A E L S I A P O R R E S P E C T
 H R R C A K S T I B Y S C I E N C E
 O R U E L N I T E C P R O A C T I V E
 U O L N A N L O F C O N C L U S I O N
 S L E T S E L R U U D F L E X I B L E






Write the words found: E E R S S R S Y L P O M I S T A K E S

<u>MISTAKES</u>	<u>FLEXIBLE</u>	_____
_____	_____	_____
_____	_____	_____
_____	_____	_____
_____	_____	_____
_____	_____	_____
_____	_____	_____
_____	_____	_____
_____	_____	_____

Count by 3s.

3 , 6 , 9 , _____ , _____ , _____ , _____ , _____ , _____ , _____

Draw ONE continuous line that touches every box ONCE.
 Count by 3s. Find the box with the number 3. Move up, down, right, or left.
 Keep counting until you reach 75. Do not move into a spot with a ghost.

	63	66			3	---	---	---	---
	---	75	---		6	---			---
	---			48	---	---			---

5 + 4 = <input type="text"/>	9 - 1 = <input type="text"/>	12 - 4 = <input type="text"/>	3 + 2 = <input type="text"/>
------------------------------	------------------------------	-------------------------------	------------------------------

Name: _____

Circle the words.

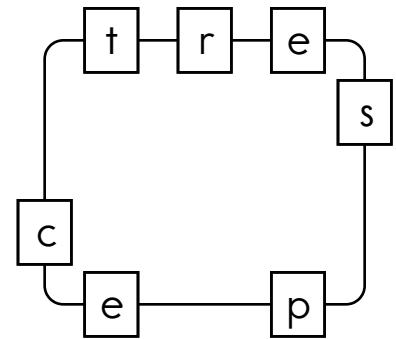
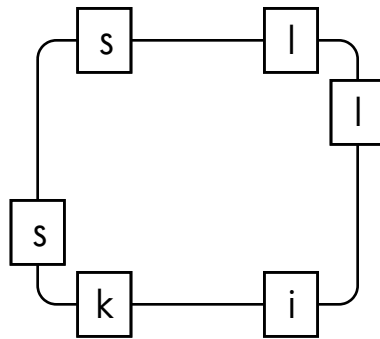
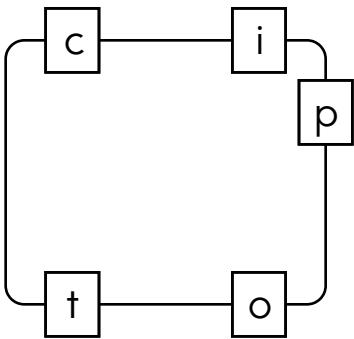
ruler proactive parents grateful respect whiteboard
 character traits grateful proactive respect grateful skills
 respect ruler rulers skills proactive multiplication grateful

Try to spell some words.

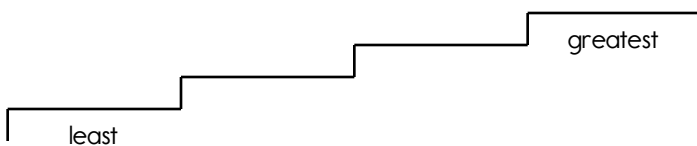
ler • at • ul • ~~xy~~ • gr • par • ~~al~~ • ak • ~~st~~ • ~~un~~ • mi
 ts • fle • st • en • xib • ef • es • le • ru

punctuality _____

Write the hidden word. Start at one letter and then move either left or right. Continue in same direction.

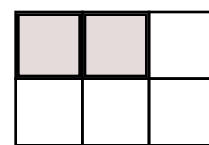


495 520 537 513
 Write the numbers in order from least to greatest.



4 + = 6 4 + = 18

What fraction of the box is shaded?



/ 3

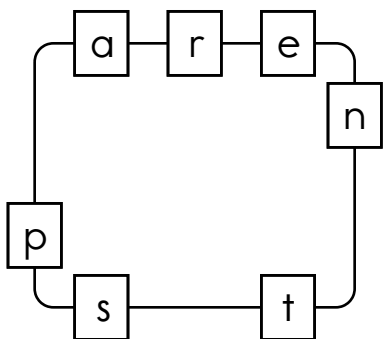


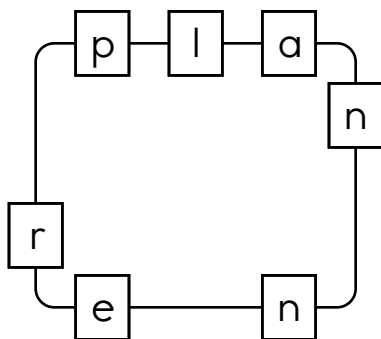
Name: _____

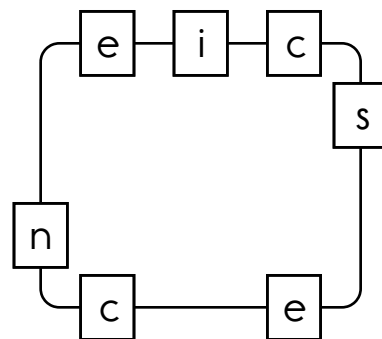
Circle the words.

whiteboardconclusionskillsmultiplicationflexibletopic
 whiteboardskillsplannerconclusionflexibletopicflexible
 whiteboardmultiplicationwhiteboardskillsconclusion

Write the hidden word. Start at one letter and then move either left or right. Continue in same direction.





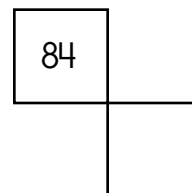
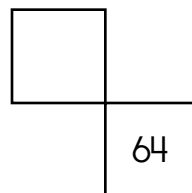
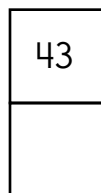
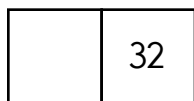
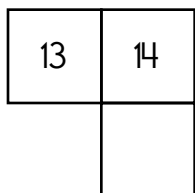


Try to spell some words.

ara • ry • ~~wh~~ • li • ~~rd~~ • its • ca • ch • ~~oa~~ • his • rd
 r t • ic • boa • on • top • cte • ~~te~~ • to • ti • ra • mul
 tip

whiteboard _____

Fill in the numbers.

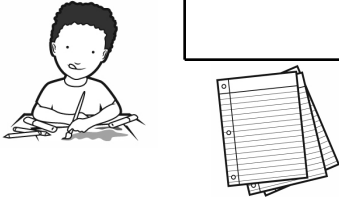


Name: _____

Which way does each word go? Write the word.

<p>1. ↓ FURNACE → FIT ← FROZEN</p> <table border="1" style="width: 100%; border-collapse: collapse; text-align: center;"> <tr> <td>N</td><td>E</td><td>Z</td><td>O</td><td>R</td><td>F</td><td></td><td></td> </tr> <tr><td style="background-color: #cccccc;">/</td><td style="background-color: #cccccc;">/</td><td style="background-color: #cccccc;">/</td><td style="background-color: #cccccc;">/</td><td style="background-color: #cccccc;">/</td><td style="background-color: #cccccc;">/</td><td style="background-color: #cccccc;">/</td><td style="background-color: #cccccc;">/</td></tr> <tr><td style="background-color: #cccccc;">/</td><td style="background-color: #cccccc;">/</td><td style="background-color: #cccccc;">/</td><td style="background-color: #cccccc;">/</td><td style="background-color: #cccccc;">/</td><td style="background-color: #cccccc;">/</td><td style="background-color: #cccccc;">/</td><td style="background-color: #cccccc;">/</td></tr> <tr><td style="background-color: #cccccc;">/</td><td style="background-color: #cccccc;">/</td><td style="background-color: #cccccc;">/</td><td style="background-color: #cccccc;">/</td><td style="background-color: #cccccc;">/</td><td style="background-color: #cccccc;">/</td><td style="background-color: #cccccc;">/</td><td style="background-color: #cccccc;">/</td></tr> <tr><td style="background-color: #cccccc;">/</td><td style="background-color: #cccccc;">/</td><td style="background-color: #cccccc;">/</td><td style="background-color: #cccccc;">/</td><td style="background-color: #cccccc;">/</td><td style="background-color: #cccccc;">/</td><td style="background-color: #cccccc;">/</td><td style="background-color: #cccccc;">/</td></tr> <tr><td style="background-color: #cccccc;">/</td><td style="background-color: #cccccc;">/</td><td style="background-color: #cccccc;">/</td><td style="background-color: #cccccc;">/</td><td style="background-color: #cccccc;">/</td><td style="background-color: #cccccc;">/</td><td style="background-color: #cccccc;">/</td><td style="background-color: #cccccc;">/</td></tr> <tr><td style="background-color: #cccccc;">/</td><td style="background-color: #cccccc;">/</td><td style="background-color: #cccccc;">/</td><td style="background-color: #cccccc;">/</td><td style="background-color: #cccccc;">/</td><td style="background-color: #cccccc;">/</td><td style="background-color: #cccccc;">/</td><td style="background-color: #cccccc;">/</td></tr> <tr><td style="background-color: #cccccc;">/</td><td style="background-color: #cccccc;">/</td><td style="background-color: #cccccc;">/</td><td style="background-color: #cccccc;">/</td><td style="background-color: #cccccc;">/</td><td style="background-color: #cccccc;">/</td><td style="background-color: #cccccc;">/</td><td style="background-color: #cccccc;">/</td></tr> </table>	N	E	Z	O	R	F			/	/	/	/	/	/	/	/	/	/	/	/	/	/	/	/	/	/	/	/	/	/	/	/	/	/	/	/	/	/	/	/	/	/	/	/	/	/	/	/	/	/	/	/	/	/	/	/	/	/	/	/	/	/	/	/	<p>1. → BUY ← BRING ↓ BLUSTERY</p> <p>2. ↓ COUGH CROSS CLAM</p> <table border="1" style="width: 100%; border-collapse: collapse; text-align: center;"> <tr> <td style="background-color: #cccccc;">/</td><td>G</td><td>N</td><td>I</td><td>R</td><td>B</td><td></td><td></td> </tr> <tr> <td style="background-color: #cccccc;">/</td><td style="background-color: #cccccc;">/</td><td style="background-color: #cccccc;">/</td><td style="background-color: #cccccc;">/</td><td>C</td><td>L</td><td>A</td><td>M</td> </tr> <tr><td style="background-color: #cccccc;">/</td><td style="background-color: #cccccc;">/</td><td style="background-color: #cccccc;">/</td><td style="background-color: #cccccc;">/</td><td style="background-color: #cccccc;">/</td><td style="background-color: #cccccc;">/</td><td style="background-color: #cccccc;">/</td><td style="background-color: #cccccc;">/</td></tr> <tr><td style="background-color: #cccccc;">/</td><td style="background-color: #cccccc;">/</td><td style="background-color: #cccccc;">/</td><td style="background-color: #cccccc;">/</td><td style="background-color: #cccccc;">/</td><td style="background-color: #cccccc;">/</td><td style="background-color: #cccccc;">/</td><td style="background-color: #cccccc;">/</td></tr> <tr><td style="background-color: #cccccc;">/</td><td style="background-color: #cccccc;">/</td><td style="background-color: #cccccc;">/</td><td style="background-color: #cccccc;">/</td><td style="background-color: #cccccc;">/</td><td style="background-color: #cccccc;">/</td><td style="background-color: #cccccc;">/</td><td style="background-color: #cccccc;">/</td></tr> <tr><td style="background-color: #cccccc;">/</td><td style="background-color: #cccccc;">/</td><td style="background-color: #cccccc;">/</td><td style="background-color: #cccccc;">/</td><td style="background-color: #cccccc;">/</td><td style="background-color: #cccccc;">/</td><td style="background-color: #cccccc;">/</td><td style="background-color: #cccccc;">/</td></tr> <tr><td style="background-color: #cccccc;">/</td><td style="background-color: #cccccc;">/</td><td style="background-color: #cccccc;">/</td><td style="background-color: #cccccc;">/</td><td style="background-color: #cccccc;">/</td><td style="background-color: #cccccc;">/</td><td style="background-color: #cccccc;">/</td><td style="background-color: #cccccc;">/</td></tr> <tr><td style="background-color: #cccccc;">/</td><td style="background-color: #cccccc;">/</td><td style="background-color: #cccccc;">/</td><td style="background-color: #cccccc;">/</td><td style="background-color: #cccccc;">/</td><td style="background-color: #cccccc;">/</td><td style="background-color: #cccccc;">/</td><td style="background-color: #cccccc;">/</td></tr> </table>	/	G	N	I	R	B			/	/	/	/	C	L	A	M	/	/	/	/	/	/	/	/	/	/	/	/	/	/	/	/	/	/	/	/	/	/	/	/	/	/	/	/	/	/	/	/	/	/	/	/	/	/	/	/	/	/	/	/	/	/	/	/
N	E	Z	O	R	F																																																																																																																												
/	/	/	/	/	/	/	/																																																																																																																										
/	/	/	/	/	/	/	/																																																																																																																										
/	/	/	/	/	/	/	/																																																																																																																										
/	/	/	/	/	/	/	/																																																																																																																										
/	/	/	/	/	/	/	/																																																																																																																										
/	/	/	/	/	/	/	/																																																																																																																										
/	/	/	/	/	/	/	/																																																																																																																										
/	G	N	I	R	B																																																																																																																												
/	/	/	/	C	L	A	M																																																																																																																										
/	/	/	/	/	/	/	/																																																																																																																										
/	/	/	/	/	/	/	/																																																																																																																										
/	/	/	/	/	/	/	/																																																																																																																										
/	/	/	/	/	/	/	/																																																																																																																										
/	/	/	/	/	/	/	/																																																																																																																										
/	/	/	/	/	/	/	/																																																																																																																										

$\begin{array}{r} 98 \\ + 64 \\ \hline \end{array}$	$\begin{array}{r} 21 \\ + 78 \\ \hline \end{array}$	$\begin{array}{r} 81 \\ + 35 \\ \hline \end{array}$	$\begin{array}{r} 88 \\ + 57 \\ \hline \end{array}$	$\begin{array}{r} 55 \\ + 91 \\ \hline \end{array}$	$\begin{array}{r} 29 \\ - 17 \\ \hline \end{array}$
---	---	---	---	---	---

<p>Fill in the blanks with these numbers: 2, 8, 8</p> <table style="width: 100%; text-align: center;"> <tr><td>1</td><td><input style="width: 40px; height: 20px;" type="text"/></td></tr> <tr><td>4</td><td>0</td></tr> <tr><td>+</td><td>3 6</td></tr> <tr><td colspan="2"><hr/></td></tr> <tr><td><input style="width: 40px; height: 20px;" type="text"/></td><td><input style="width: 40px; height: 20px;" type="text"/></td></tr> </table>	1	<input style="width: 40px; height: 20px;" type="text"/>	4	0	+	3 6	<hr/>		<input style="width: 40px; height: 20px;" type="text"/>	<input style="width: 40px; height: 20px;" type="text"/>	<p>Fill in the blanks with these numbers: 6, 1, 1</p> <table style="width: 100%; text-align: center;"> <tr><td>1</td><td>3</td></tr> <tr><td>4</td><td><input style="width: 40px; height: 20px;" type="text"/></td></tr> <tr><td>+</td><td><input style="width: 40px; height: 20px;" type="text"/> 2</td></tr> <tr><td colspan="2"><hr/></td></tr> <tr><td>6</td><td><input style="width: 40px; height: 20px;" type="text"/></td></tr> </table>	1	3	4	<input style="width: 40px; height: 20px;" type="text"/>	+	<input style="width: 40px; height: 20px;" type="text"/> 2	<hr/>		6	<input style="width: 40px; height: 20px;" type="text"/>	<p>Write a word to describe May.</p> <p>_____</p> <ul style="list-style-type: none"> <input type="radio"/> prie <input type="radio"/> prizi <input type="radio"/> priiz <input type="radio"/> prize <div style="text-align: right; margin-top: 10px;">  </div>
1	<input style="width: 40px; height: 20px;" type="text"/>																					
4	0																					
+	3 6																					
<hr/>																						
<input style="width: 40px; height: 20px;" type="text"/>	<input style="width: 40px; height: 20px;" type="text"/>																					
1	3																					
4	<input style="width: 40px; height: 20px;" type="text"/>																					
+	<input style="width: 40px; height: 20px;" type="text"/> 2																					
<hr/>																						
6	<input style="width: 40px; height: 20px;" type="text"/>																					

Name: _____

Teachers' Day Spelling
Third Grade

Write these spelling words in ABC order:

class • topic • planner • conferences • punctuality • listening

1. _____

4. _____

2. _____

5. _____

3. _____

6. _____

Unscramble the letters to spell a word.

ueatfrlg _____

ryoshit _____

icpot _____

elixbelf _____

pltnuctauyi _____

srpctee _____

cbrtlooleaa _____

twrgniprei _____

eggunaal _____

liskls _____

ievacptor _____

urerl _____

seccein _____

iiegsnntl _____

tnuipclolmiati _____

osefernencc _____

setrpan _____

coonisulcn _____

oibrhawtde _____

plnnrae _____

alcss _____

bdrao _____

Name: _____

edHelper

Today is _____.

Read the paragraph. Write a topic sentence and supporting details to describe the paragraph.

If I could meet one famous person, I'd like to meet Justin Bieber. I would like to meet him because I think he is a great singer. It would be fun to meet him and ask him questions about his life and his music. If I got the chance to meet him, I would ask for his autograph. I would also want my mom to take a picture of me standing next to him so that I could remember the moment forever. I think that meeting Justin Bieber would be a great experience!

Write a topic sentence for the paragraph: _____

Write one supporting detail: _____

Write a second supporting detail: _____

Circle all of the words that are spelled correctly.

brass

soil

kare

price

elows

sping

silf

groups

county

benches

grocery

new

share

studets

riet

fond

paece

hats

cane

rude

dogh

twig

between

heng

pricess

animal

whiskers

dock

joint

Name: _____

edHelper

19 is _____ more than 17

12 is _____ more than 9

28 is _____ more than 19

23 is _____ more than 16

22 is _____ more than 18

20 is _____ more than 12

22 is _____ more than 14

15 is _____ more than 11

22 is _____ more than 13

Look at these awful spellings. Someone cannot spell! Write the correct spelling for each misspelled word. Watch out. You will sometimes see a word with the correct spelling.

suri

shur

shuur

sre

seht

sent

seent

sehn

cornor

karnur

cornir

corner

hopeful

hopiful

hipafal

hopful

kyob

kiyob

cuube

kyoob

belang

blong

bilong

bellong

Count by 3s.

30

42

Thornton Wilder's birthday is 14 days after Alex's birthday. Alex's birthday is March 28. On what date is Thornton Wilder's birthday?

$13 + \square = 20$

$13 + \square = 19$

An emperor penguin may weigh as much as 90 pounds. Gavin weighs 70 pounds. How much less does he weigh than the largest emperor penguin?

Seven is an even number.
true false



$4 + \square = 6$

$8 + \square = 15$

$10 + \square = 17$